



**Integrated Monitoring  
Solutions for Today's  
Technology Facilities**

# AC KIT CRAC Leak Protection

## FEATURES

- Fail-safe Circuitry
- 12-24 Volt Power Capability
- Form "C" Relay Output (1A/120VAC)
- Woven Water Sensing Cable
- Encapsulated Electronics
- Sensing Cable Supervision
- Self Contained System  
(No special monitor panel required)
- Complete Design Flexibility
- Simple Installation
- Patent Pending



## GENERAL

The DIT, Inc. Aquatrak AC Kit combines all the features found individually in our Aquatrak Modular Zone Water Detection system, into one simple to install package for a single AC unit. The AT1-AC Kit is a complete solution for extended water detection requirements. The kit comes with all required components for installation including a 10' pre-wired electrical connection cable. Sensing cables are available in 25', 30', and 50' lengths. Hold down clips are included for attaching the cable to the sub-floor.

## OPERATION

The module and sensing cable form a complete water detection system for a single AC unit. When water comes in contact with the sensing cable, the module will activate a set of relay contacts, signaling an alarm condition. After the source of the leak is corrected and the sensing cable dried, the module will reset to normal. The module of the AC Kit supervises the sensing cable for faults. Should the cable be cut or disconnected from the module an alarm will be signaled. To test the sensing module, remove the E.O.L. (End Of Line) resistor from the end of the sensing cable and plug it into the module. The module should return to normal.

**NOTE: The alarm output contacts are reverse acting. The N.O. contacts will close during normal operation.**

## MOUNTING

### Module

The module mounts directly on the floor or sub-floor. Two ¼" mounting holes are provided (one on each flange) for anchoring to the floor.

### Sensing Cable

Hold-down clips (AT1-C) should be used to mount the sensing cable to the under floor surface. The adhesive on the clips may be used to mount directly to the floor. On some sub-floor surfaces, contact cement may be required to mount the hold-down clips securely. On piping, the cable can be mounted directly with nylon wire ties to hold the cable in place.

## APPLICATIONS

### Monitoring

The AC Kits provide a non-powered "Form C" relay output for alarm signaling. The AC Kit can be connected to any monitoring or control system that can accept contact closures or low voltage inputs.

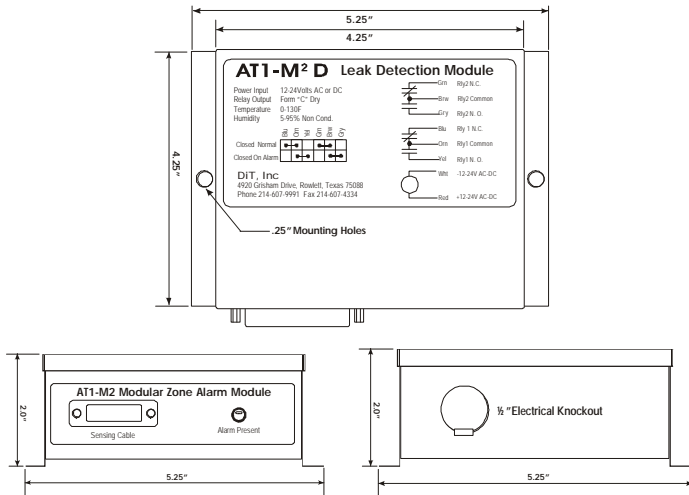
### CONTROL

The alarm relay contacts of the AC Kit can be used to shut down cooling, solenoid valves or other water control devices to prevent additional flooding when a leak is detected.

**PO Box 2029  
Rowlett, Texas 75030-2029  
Phone: 214-607-9991  
Fax: 214-607-4334  
WWW.DARWELLIT.COM**



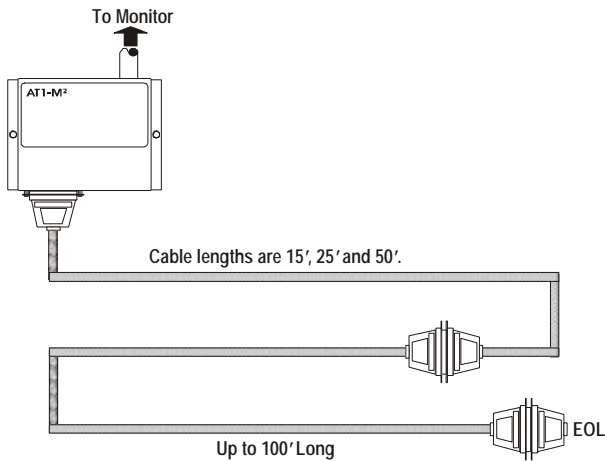
## Dimensions



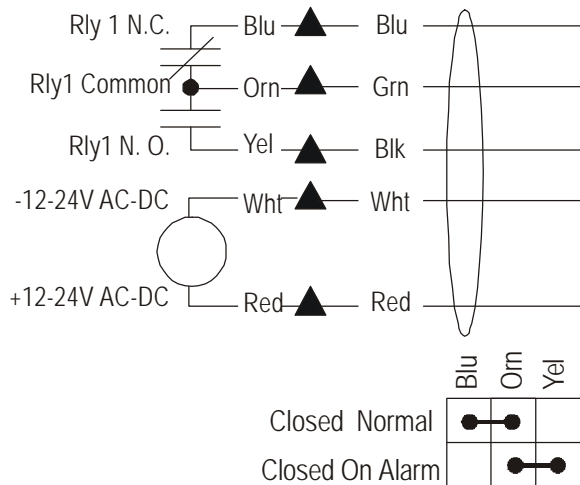
### AT1-M Module Wire Connections

Red	Positive Power
White	Negative Power
Orange	Relay Common
Yellow	Normally Open
Blue	Normally Closed

### Sensing Block Diagram



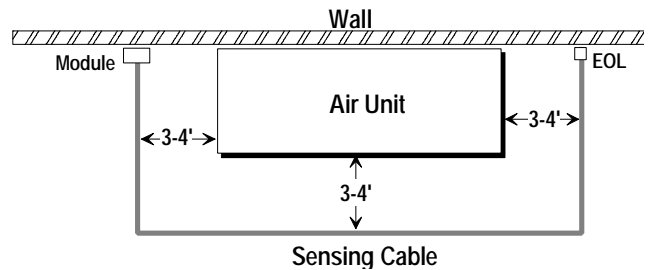
### Wiring Block Diagram



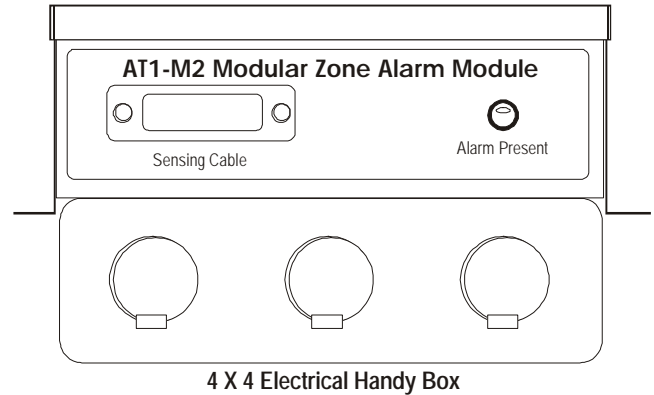
## SPECIFICATIONS

Model Number	AT1-AC1 AT1-AC2 AT1-AC3
Power	12-24 Volt AC or DC/50mA
Alarm Output	Form "C" Relay Contacts
Environmental	32-125F/0-95%Rh
Size	5"L x 3"H x 3.25"D
Weight	1.4 lbs.
Sensing Cable	AT1-AC1 = 25' AT1-AC2 = 30' AT1-AC3 = 50'
Cable Clips	AC1=10, AC2=12 and AC3=18
Width	1"
Interconnect Cable	10'

### Sensing Cable Clearances



### Mounting with a Handy Box



PO Box 2029, Rowlett, Texas 75030-2029  
Phone 214-607-9991 Fax 214-607-4334  
WWW.DARWELLIT.COM