



**Integrated Monitoring  
Solutions for Today's  
Technology Facilities**

# MPR-1 Single Point Monitor Panel

## FEATURES

- 1 N.O. alarm inputs
- Audible alarm
- Alarm Silence
- Bright LEDs
- Optional AutoDialer
- Remote Alarm Relay Outputs



## GENERAL

The DiT, Inc. MPR-1 is designed to provide simple point monitoring at a low cost. The MPR 1 allows monitoring of a single normally open, dry alarm contact. Power On and Alarm leds indicate alarm condition. An Alarm Silence switch can be depressed to silence the audible alarm. The MPR1 is the perfect choice for customers needing a simple-to-install and easy-to-operate site monitoring solution for leak detectors, temperature and humidity sensors or remote status monitors for AC units, UPS and Power systems.

## OPERATION

The MPR monitors the status condition of the alarm input continuously. Should the input change to an alarm condition, the MPR will sound an audible alarm and display the input in alarm on the LED. The alarm can be silenced using the Silence switch on the wall display.

## WIRING

All wiring to the MPR-1 is low voltage. Terminal blocks are provided for field connections

## MOUNTING

The MPR-1 can be mounted surface or flush. A built-in flush ring is included in the back box.

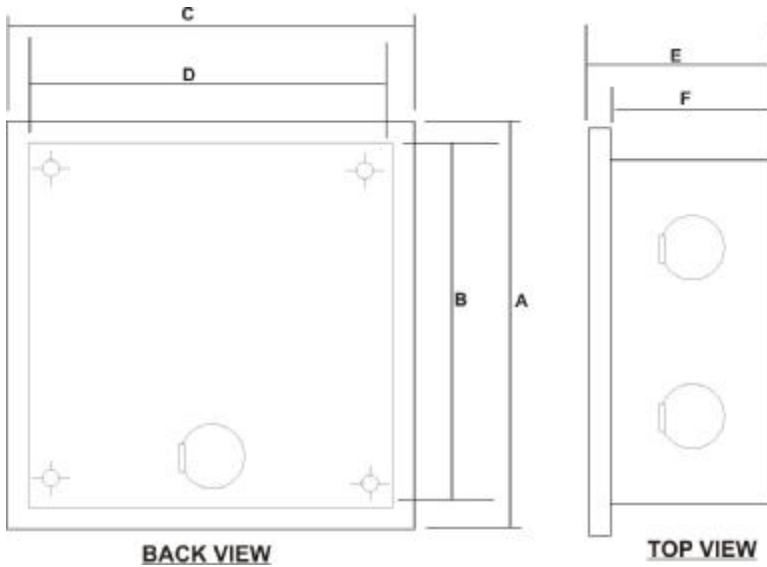
## POWER

The MPR1 comes with a 24VAC wall transformer for power. If the application requires additional capacity the TR1 be ordered to provide 40VA power to handle the MPR-1 and other sensors

PO Box 459  
Lone Oak, Texas 75453  
Phone: 214-607-9991  
Fax: 903-862-2058  
[WWW.DARWELLIT.COM](http://WWW.DARWELLIT.COM)



## Dimensions



A = 7.00"      B = 6.00"      C = 7.00"  
 D = 6.00"      E = 2.50"      F = 2.00"

## Wiring Schedule

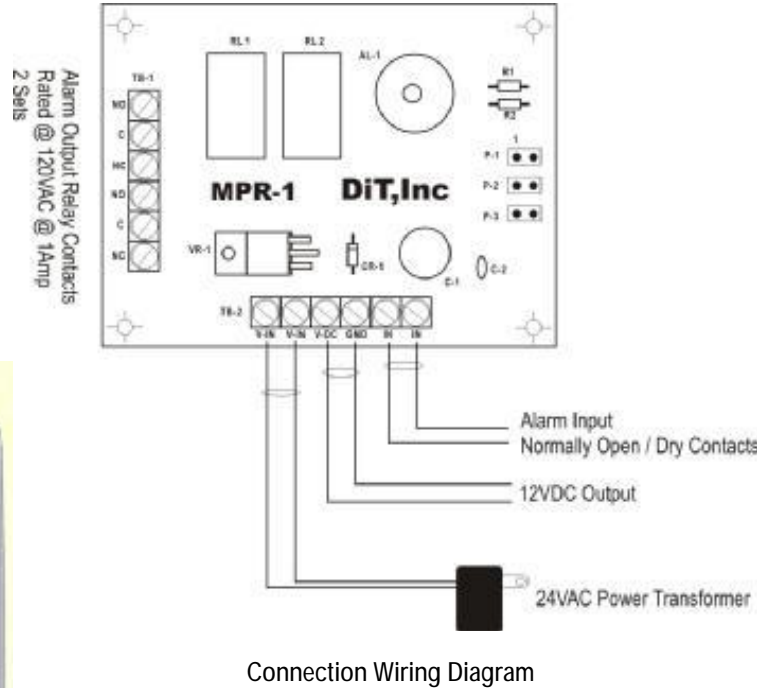
Input Type	Wire Type	No. Conduct.	Wire Size
Digital Input	THHN	2	18-22 stranded
Power Input	THHN	3	14-16 stranded

MPR-1 Alarm Board



## SPECIFICATIONS

Model Number	MPR-1
Base Unit	MPR-1
Electrical Power	24VAC (Transformer Provided)
Alarm Inputs	MPR-1 1
Number of Inputs	MPR-1 1
Input Types	Normally Open
Input Voltage	Dry Contact
Display Type	2 LEDs
Keypad	Silence Switch
Environmental Temperature	0-125 Degrees F
Humidity	5-95% RH Noncondensing



Connection Wiring Diagram