



**Integrated Monitoring
Solutions for Today's
Technology Facilities**

AQ-ONE

Water Zone Monitor System



GENERAL

The DIT, Inc. AQ-One is designed to provide a simple solution for small leak detection requirements. The AQ-One kit includes a wall mounted display and alarm panel, customer defined sensing cable lengths up to 200 feet, starter cable, power transformer, hold down clips and alarm test plug. The display and alarm panel offers a green normal led and a red alarm led. A silence button will silence the onboard audible alarm.

The AQ-One provides two sets of normally open or normally closed non-powered contacts for remote monitoring connections. Power on and alarm leds indicates an alarm condition. An alarm silence switch can be depressed to silence the audible alarm.

The AQ-One is the perfect choice for customers needing a simple-to-install and easy-to-operate zone leak detection system.

OPERATION

The AQ-One continuously monitors the status condition of the attached sensing cable. Should water contact the cable an alarm condition will exist, the AQ-One will sound an audible alarm and display the alarm with a red led. The alarm can be silenced using the Silence button on the display and alarm panel.

WIRING

All wiring to the AQ-One is low voltage. Color-coded pigtails are provided for field connections.

MOUNTING

The AQ-One can be mounted surface or flush. A built-in flush ring is included in the box.

POWER

The AQ-One comes with a 12Volt wall transformer for power.

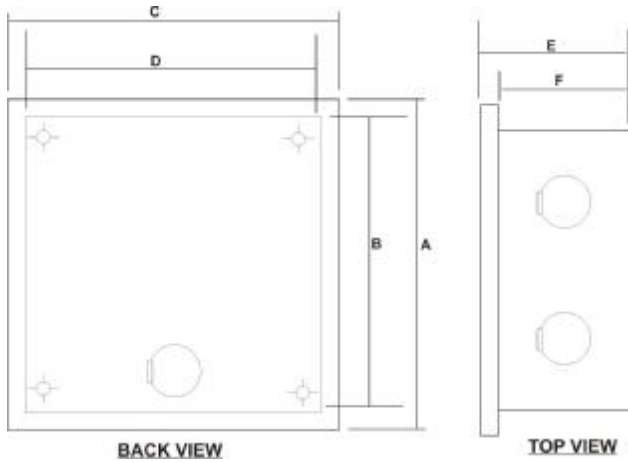
TESTING

The AQ-One comes with an Alarm Test Plug. Simply disconnect the sensing cable at any union and plug in the test plug. The display and alarm panel will indicate an alarm condition. Plug the EOL at the same location and the display and alarm panel should return to normal.

**PO Box 459
Lone Oak, Texas 75453
Phone: 214-607-9991
Fax: 903-862-3400
WWW.DARWELLIT.COM**



Dimensions



A = 7.00" D = 6.00"
 B = 6.00" E = 2.50"
 C = 7.00" F = 2.00"

SPECIFICATIONS

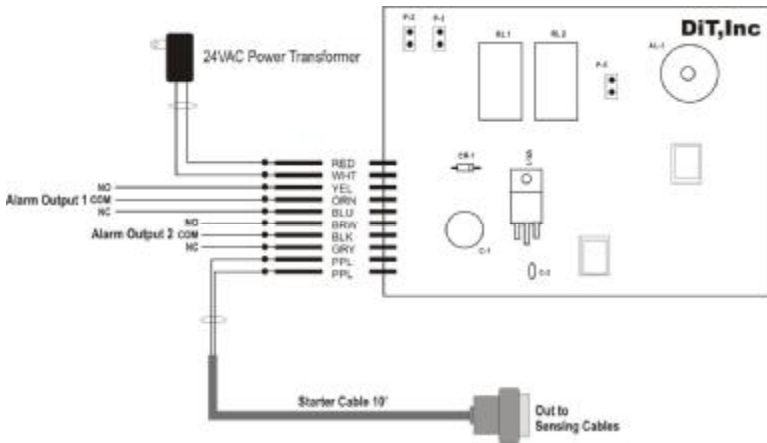
Model Number
 Base Unit AQ-One-XXX
 Electrical
 Power 12Volt (Transformer Provided)
 Alarm Inputs
 Number of Inputs
 Input Types AT1-M AquaTrak Cable Up to 200'.
 Output Types 2 Form "C" Dry Contacts
 Wall Display
 Display Type 2 LEDs
 Keypad Silence Switch
 Environmental
 Temperature 0-125 Degrees F
 Humidity 5-95% RH Noncondensing

ORDERING OPTIONS

Model Number
 AQ-1-25 Includes 25' Sensing Cable 12 Clips
 AQ-1-50 Includes 50' Sensing Cable 18 Clips
 AQ-1-75 Includes 75' Sensing Cable 28 Clips
 AQ-1-100 Includes 100' Sensing Cable 36 Clips
 AQ-1-150 Includes 150' Sensing Cable 54 Clips
 AQ-1-200 Includes 200' Sensing Cable 72 Clips

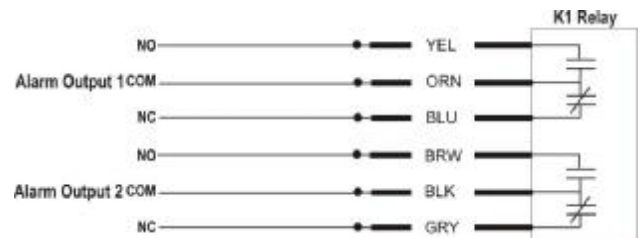
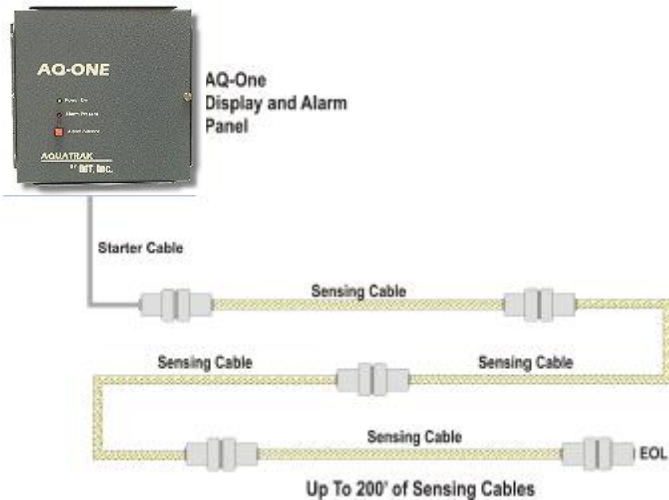
Materials Included in Kits

- ◆ Display and Alarm Panel
- ◆ Starter Cable 10' Long
- ◆ EOL End Of Line resistor
- ◆ Sensing Cable(s)
- ◆ Cable Hold Down Clips
- ◆ Alarm Test Plug



Wiring Schedule

Input Type	Wire Type	No. Condt.	Wire Size
Sensing Input	Stranded w/Shld	2	22-2 stranded
Relay Output	Stranded	2	18-22 stranded
Power Input	Stranded	2	22-2 stranded



PO Box 459, Lone Oak, TX 75453
 Ph 214-607-9991 Fax 903-862-2058
WWW.DARWELLIT.COM