



**Integrated Monitoring  
Solutions for Today's  
Technology Facilities**

# WD1/LP Series

## Low Profile Point Leak Detector

### FEATURES

- Adjustable Probe Height
- Wide Range of Operating Voltages
- Form "C" Relay Output for Alarms  
(2Amp/120Vac Rated)
- Silver Sensing Probes
- Red LED Indicator Light
- Encapsulated Electronics
- Failsafe Circuitry (WD1-S Only)
- Self Contained System  
(No special monitor panel required)
- Design Flexibility
- Simple Installation



### GENERAL

The DiT, Inc. WD1-LP (Low Profile) series of Point Detectors featuring silver-plated probes and microchip technology for the highest level of water detection confidence. The design allows for a sturdier floor or pan mount as well as a lower height profile for clearances. All WD1-LP series detectors use the same proven and reliable WD1 electronics. All models can be operated from 12-24 Volts AC or DC. Alarm signaling is provided with one or two form "C" relay contacts, depending on the model ordered. Connect the WD1-LP to a DiT, Inc. MPR, GMP monitoring panel or a SCADA or BMS monitoring system to complete the monitoring package. A height adjustable, galvanized steel enclosure is standard.



The WD1-LP models change the relay contact state, and lights the red LED on the cover when water is present at the sensing probes. The WD1-LP model provide a single or dual set of dry relay contacts. The WD1-LPS models include fail-safe circuitry to signal an alarm condition for an internal malfunction or loss of power to the sensor. The WD1-LPS models incorporate a reverse acting set of relay contacts that are closed in a normal condition.

### OPERATION

The WD1-LP or WD1-LPS can be used with any "contact-closure" monitoring panel. The "dry" contact points may be wired normally open or normally closed, allowing wiring flexibility to handle most installations.

Relay contacts on the WD1-LP sensors, once powered, remain in the same state until water is applied to the sensing probes. When water is present, the relay contacts make.

On WD1-LPS sensors, the relay contacts are reverse acting and make as soon as power is applied.

When water is present at the sensing probes, the relay releases and returns to a non-powered state. During a powered steady state condition, the contacts will change states and signal an alarm condition if:

1. A leak is detected
2. An internal malfunction occurs
3. Power is lost to the sensor

### MOUNTING

The units mount directly on the floor or sub-floor. Two 1/4" mounting holes are provided (one on each flange) for anchoring to the floor. Adjust the height of the sensing probes with the screws on the mounting legs. The mounting flanges are longer and sturdier to prevent accidental dislodging from cable pulls under the floor.

### WIRING

The unit requires 12-24 Volts DC or AC power. Shielded cable should be used for wiring to prevent electrical noise. Electrical knockouts (1/2") are provided on each side or electrical conduit connection.

#### WD1-LP Wire Connections

Red Positive Power  
White Negative Power

#### WD1-LP Models

Orange Relay Common  
Blue N.C. Contact  
Yellow N.O. Contact

#### WD1-LPD Models

Blue N.C. Contact  
Purple N.O. Contact  
Black Relay Common

Relay contacts are non-powered "dry" contacts.

Relay contacts are reverse acting on WD1-LPS models.

**PO Box 459**

**Lone Oak, Texas 75453**

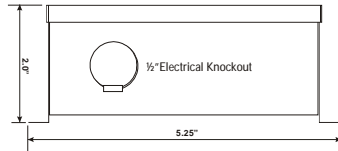
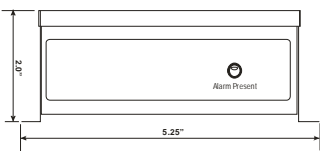
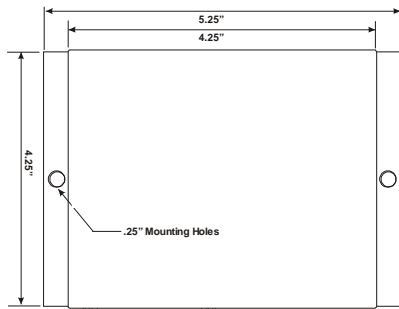
**Phone: 214-607-9991**

**Fax: 903-862-2058**

**[WWW.DARWELLIT.COM](http://WWW.DARWELLIT.COM)**



## Dimensions



### WD1-LP or LPS Wire Connections

Red Positive Power  
 White Negative Power  
 Orange Relay Common  
 Yellow Normally Open  
 Blue Normally Closed  
 Use 18-22 gauge stranded or solid core wire.

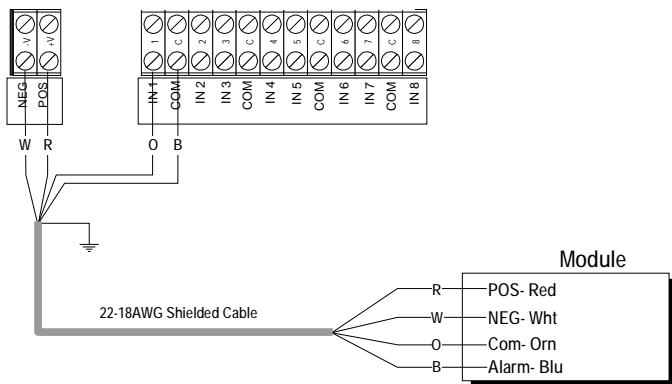
### WD1-LPD or LPDS Wire Connections

Red Positive Power  
 White Negative Power  
 Orange Relay Common  
 Yellow Normally Open  
 Blue Normally Closed  
 Purple Normally Open  
 Black Relay Common  
 Brown Normally Closed  
 Use 18-22 gauge stranded or solid core wire.

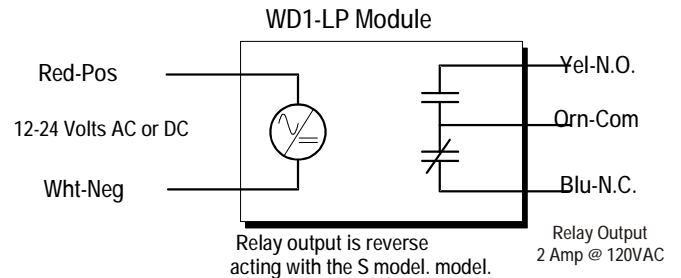
## SPECIFICATIONS

Model Number	WD1-LPXX
Power	12-24 Volts AC or DC @50MA
Alarm Output Contacts	WD1-LP One Form "C" Relay Contacts (2Amp/120Vac Rated)
Alarm Output Contacts	WD1-LPS One Form "C" Relay (Reverse Acting) (2Amp/120Vac Rated)
Alarm Output Contacts	WD1-LPD Two Form "C" Relay Contacts (2Amp/120Vac Rated)
Alarm Output Contacts	WD1-LPDS Two Form "C" Relay (Reverse Acting) (2Amp/120Vac Rated)
Indicator Light	Red LED
Environmental	32-125F/0-95%Rh
Size	5"L x 5"H x 2.25"D
Weight	1.4 lbs.

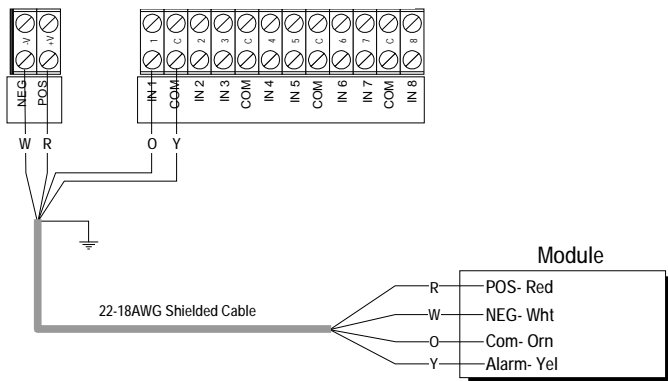
### WD1-LP Wiring Diagram to MPR10XL Panel



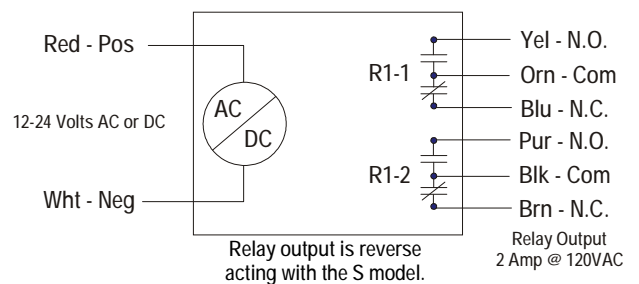
### WD1-LP / LPS Internal Connections



### WD1-LP Wiring Diagram to SCADA Digital Inputs



### WD1-LPD Internal Connections



PO BOX 459, Lone Oak, Texas 75453  
 Phone 214-607-9991 FAX 903-862-2058  
[WWW.DARWELLIT.COM](http://WWW.DARWELLIT.COM)